



**2<sup>nd</sup>**

**North American Energy  
Standards Board  
ANNUAL MEETING**

**SEPTEMBER 16-17, 2003  
Driskill Hotel  
604 Brazos  
Austin, Texas 78701  
(512) 474-5911**



## **North American Energy Standards Board**

The North American Energy Standards Board (NAESB) officially began operation on January 1, 2002. NAESB encompasses what used to be the Gas Industry Standards Board (GISB) representing the wholesale gas market interests. NAESB retains this mission and also provides a forum for developing business practice standards for wholesale electric, retail electric and retail gas market interests. While GISB was NAESB's precursor and has provided many processes for standards development and group decision-making, NAESB provides much more. In addition to supporting all four sectors of the gas and electric industries - wholesale and retail, gas and electric market interests - NAESB recognizes the ongoing convergence of the gas and electric businesses, and implicitly ensures that its standards will receive the input of all industry sectors when appropriate thereby developing consensus in an otherwise chaotic market place of ideas.

**Dress:** Business casual dress is appropriate for all NAESB functions

**SEPTEMBER 16-17, 2003**  
**Driskill Hotel**  
**604 Brazos**  
**Austin, Texas 78701**  
(512) 474-5911

**2<sup>nd</sup> ANNUAL MEETING**

**North American Energy  
Standards Board**

**Program**

## TUESDAY, SEPTEMBER 16, 2003

**1:00 pm**

### **Welcome and Opening Remarks**

**Keith Sappenfield**, Chairman, NAESB Annual Meeting Program

**The Honorable Rebecca Klein**, Chair, Texas PUC

### **Meeting of the Members: State of NAESB**

**Leonard Haynes**, Chairman, NAESB Board of Directors

**Jim Buccigross**, Chairman, NAESB Executive Committee

### **Federal Energy Regulatory Commission Perspective**

**Richard O'Neill**, Manager, Tariffs and Economic Group,

Office of Markets, Tariffs and Rates, FERC

**The Honorable Nora Mead Brownell**, Commissioner, FERC

(video presentation)

### **Natural Gas Update from the Department of Energy**

**Mark R. Maddox**, Principle Deputy Assistant Secretary,

Office of Fossil Energy, DOE

### **Overview of Federal Energy Legislation**

**Sheila Hollis**, Partner, Duane Morris LLP

### **Break**

### **The Street's Perspective on Changes in the Energy Marketplace**

**Neal Wolkoff**, Executive Vice President and COO, NYMEX

### **International Update**

**Ed Kelly**, Head of Gas & Power Consulting, Wood Mackenzie Ltd.

### **Break**

### **Homeland and Internet Security Update**

**Moderator - Leigh Spangler**, President, Latitude Technologies, Inc.

Steve Crocker, CEO, Shinkuro, Inc.

Chris Uranga, Director, Security, Electric Reliability Council of Texas

Dr. John Hoyt, Critical Infrastructure Protection Program Manager,

Science and Technology, U.S. Department of Homeland Security

**6:00 pm**

### **Adjourn for Reception**

**7:00 pm**

### **Annual Meeting Dinner**

### **The Energy Marketplace: A Financial Outlook**

**Donato Eassey**, President, Royalist Independent Equity Research, Ltd.

## WEDNESDAY, SEPTEMBER 17, 2003

**9:00 am**

### **Welcome and Opening Remarks**

**Keith Sappenfield**, Chairman, NAESB Annual Meeting Program

## WEDNESDAY, SEPTEMBER 17, 2003 (CONTINUED)

**9:10 am**

### **The Energy Marketplace: State Commissioners' Perspective**

**Moderator** – **Howard Shafferman**, Partner, Ballard Spahr Andrews & Ingersoll, LLP

The Honorable Stan Wise, Commissioner, Georgia PSC, and President of NARUC

The Honorable Angel Cartagena, Jr., former Chair, District of Columbia PSC

The Honorable Sandra Hochstetter, Chair, Arkansas PSC

The Honorable Bob Keating, Commissioner, Massachusetts Department of Telecommunications and Energy

The Honorable James Kerr II, Chair, North Carolina Utilities Commission

The Honorable Rebecca Klein, Chairwoman, Texas PUC

The Honorable Brett Perlman, former Commissioner, Texas PUC

The Honorable Marc Spitzer, Chair, Arizona Corporation Commission

### **National Association of Regulatory Utility Commissioner's Update**

**The Honorable David Svanda**, former President NARUC, and former Commissioner, Michigan Public Service Commission

**12:00 pm**

### **Lunch**

**Speaker** -- **Barbara Mariner-Volpe**, U.S. Energy Information Admin.

### **The Energy Marketplace: "Then and Now," Perspectives from Former FERC Commissioners**

**Moderator** -- **Robert Gee**, Vice President, Partner Relations and Development, Electricity Innovation Institute

Mike Naeve, Partner, Skadden, Arps, Slate, Meagher & Flom LLP  
Commissioner 1985-1988

Elizabeth Moler, Executive Vice President, Government and Environmental Affairs and Public Policy, Exelon Corporation  
Commissioner 1988-1993, Chair 1993-1997

Branko Terzic, Managing Dir., Energy Research Group, Deloitte & Touche  
Commissioner 1990-1993

Jim Hoecker, Partner, Swidler Berlin Shereff Friedman LLP  
Commissioner 1993-1997, Chair 1997-2001

Curt Hébert, Jr., Exec. Vice President External Affairs, Entergy Services, Inc.  
Commissioner 1997-2001, Chair 2001

Linda Breathitt, Senior Energy and Regulatory Consultant,  
Thelen Reid & Priest LLP, Commissioner 1997-2002

### **Break**

### **The Energy Marketplace: The Advisors Weigh-In**

**Moderator** -- **Sheila Hollis**, Partner, Duane Morris LLP

R. Scott Brown, VP, Policy Dev., Gov't and Env'tl Affairs, Exelon Corp.

Leonard Hyman, Senior Associate Consultant, RJ Rudden Associates

Ron McNamara, VP Regulatory Affairs and Chief Economist, Midwest ISO

Dr. Craig Roach, Principal, Boston Pacific Co.

Joshua Rokach, Of Counsel, Balch & Bingham LLP

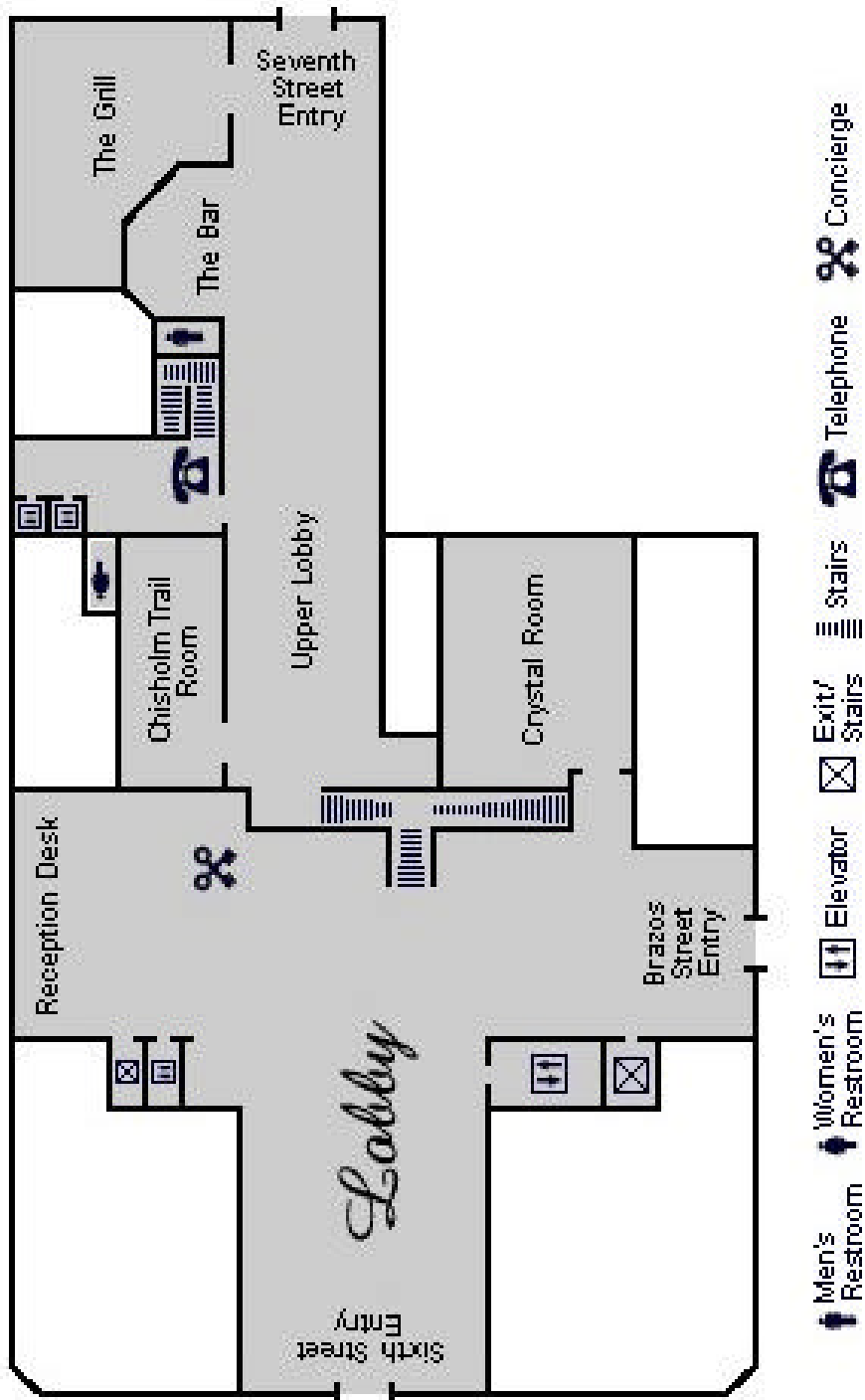
**4:50 pm**

### **Concluding Remarks**

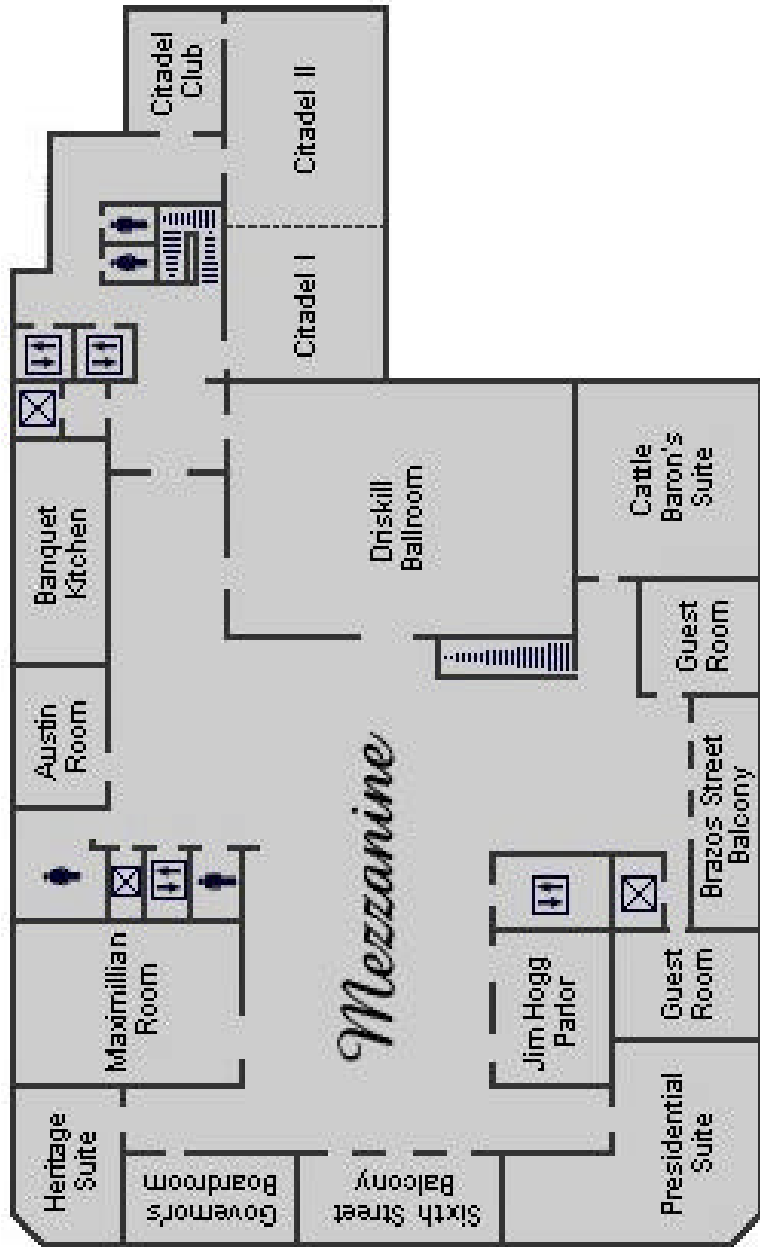
**Rae McQuade**, Executive Director, NAESB

**5:00 pm**

### **Adjourn**



**DRISKILL HOTEL - FIRST FLOOR**



-  Men's Restroom
-  Women's Restroom
-  Elevator
-  Exit/Stairs
-  Stairs
-  Telephone

**DRISKILL HOTEL – MEZZANINE LEVEL**

**North American Energy Standards Board**  
**1301 Fannin Street, Suite 2350**  
**Houston, Texas 77002**  
**713-356-0060**  
**[www.naeshorg](http://www.naeshorg)**