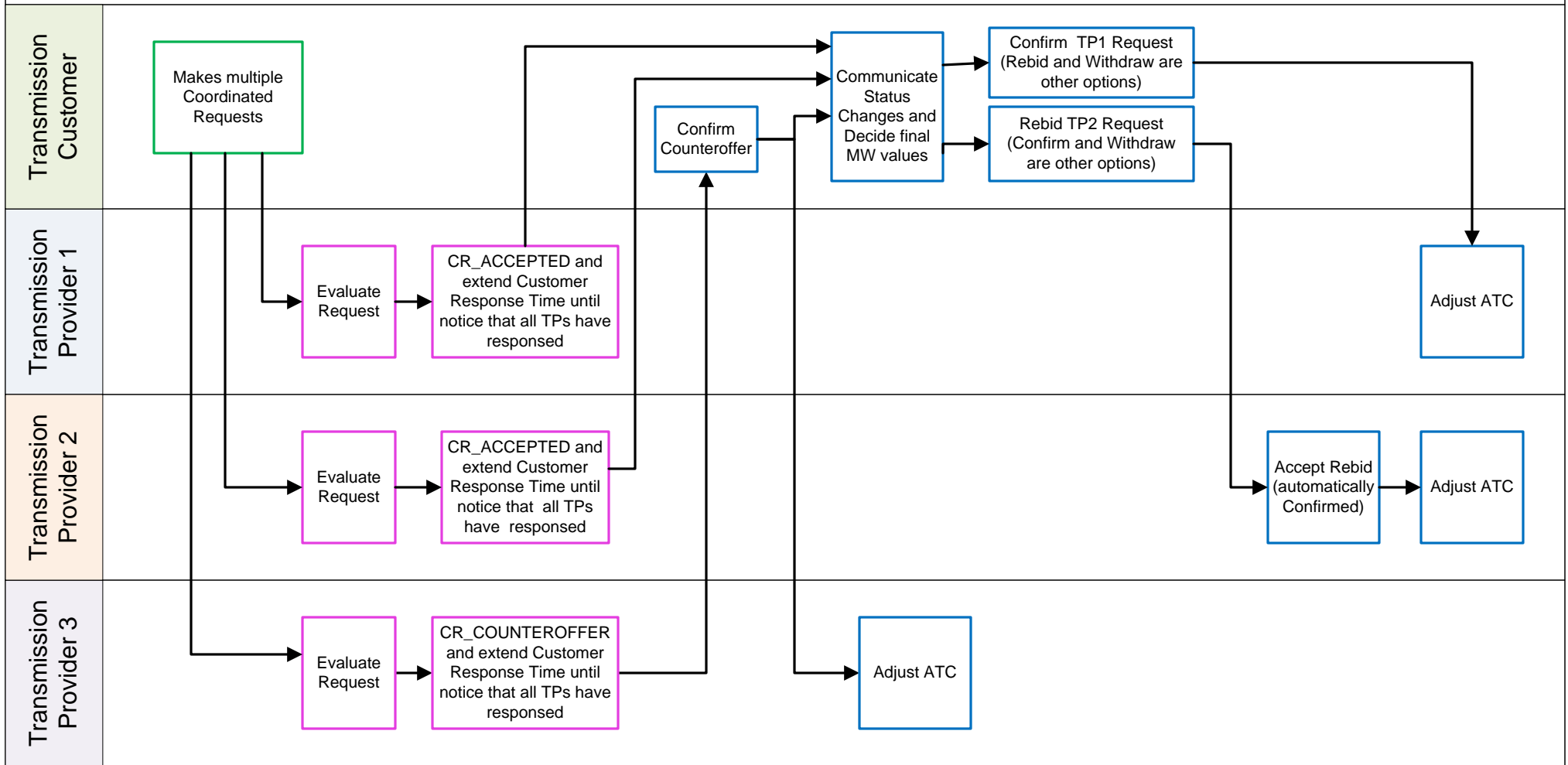


SAMTS Example of Coordination of Three Requests on Three Transmission Systems



Submission (within 24 hours)

Normal Evaluation and Initial TP Response

Transmission Customer Response / Completion of Coordination