

# Title Transfer Tracking Pilot Testing Task Force Project Plan Business Case (Account Model)

## Working Group Participants

<u>Name</u>	<u>Company</u>	<u>Phone/Fax</u>	<u>Email</u>
Ken Schubert	TransCanada PipeLines Ltd.	403-267-8606/8632	ken_schubert@tcpl.ca
Keith Higginbotham	Enron - NNGC & TWC	713-853-5466/2551	khigginbotham@enron.com
Gene Nowak	NGPL	713-963-3588/3566	

### 1. Base Business Case

See the attached Base Case Diagram and Base Case "Transactions for all Scenarios" document.

[ As these are the same for all cases, they would be added later. ]

### 2. Account Model Description:

The TSP would provide TTT services and multiple 3rd party TTTSP's may also provide TTT services using the Account Model at one or both sides of any nominatable point (receipt, delivery, 2-way interconnect or in-line). The following is the definition of the Account Model:

#### Definitions

- TSP = the transportation service provider.
- TSR = the transportation service requester.
- TTTSP-TSP = the TTT service provider which is also the TSP.
- TTTSR-TSP = the TTT service requester which would be a TTT account holder on a TSP.
- TTTSP = the 3rd party TTT service provider which is also a TTTSR-TSP.
- TTTSR = the TTT service requester which is a TTT account holder on a TTTSP.

#### Features & Requirements

- The Account Model could exist at any nominatable location.
- No additional locations would be required.
- No additional transportation would be required (TTT activity is handled via account transfers and does not use zero distance transportation).
- The confirmation process would involve only physical operators.
- There would be a TTTSP-TSP at that each location where TTT services would be provided.
- There may be multiple TTTSPs at a location.
- A TTTSP, TTTSR, or a TTTSR-TSP do not physically move gas at a location thus the net result of all (paper) transactions (receipt, delivery, buy and sell) for each must equal zero.

## Transportation and Title Transfer Tracking Nominations & Scheduled Quantities

- The TSP receives nominations from the TSR for transportation services including the receipts from and deliveries to TTTSR-TSPs.
- The TTTSP-TSP receives nominations from the TTTSR-TSP (which may also be a TTTSP) for TTT services. These nominations would not be for TTT activity within a TTTSP.
- The TTTSP receives nominations from the TTTSR for TTT services.
- The TSP sends scheduled quantities to the TSR for transportation services.
- The TTTSP-TSP sends scheduled quantities to the TTTSR-TSP (which may also be a TTTSP) for TTT services.
- The TTTSP sends scheduled quantities to the TTTSR for TTT services.

## Confirmations

- The TSP exchanges confirmation requests and confirmation responses with the other physical Operator at that location.

### **3. Account Model Diagrams**

See attached.

### **4. Transactional Flow Chart**

Attached are the transportation and TTT nominations, scheduled quantities and confirmations as applicable.

### **5. Energy Balance by Point**

Each TTTSR, TTTSP and TTTSR-TSP would be balanced.

The diagrams and reports show that each TSP, TTTSR, TTTSP and TTTSR-TSP is balanced.

### **6. Documents needed, Roles and Responsibilities**

[ Some of this is already in the Section 2 above, but would need to be completed. ]

### **7. Comparison of Strengths and Weaknesses**

#### Strengths

- The Account Model is a proven model that is currently in use.
- Third parties can provide TTT services.
- There are only physical operators in the confirmation process.
- There is no need for additional location codes.

- There is no need for additional OBAs.
- There is no need for additional transportation paths.
- The TSP would have sufficient information to balance each TTTSR-TSP account as it would directly receive all of its receipt, buy, sell and delivery nominations.

### Weaknesses

- 

## **7. Proposed Data Elements & Dictionary**

[ to be completed ]

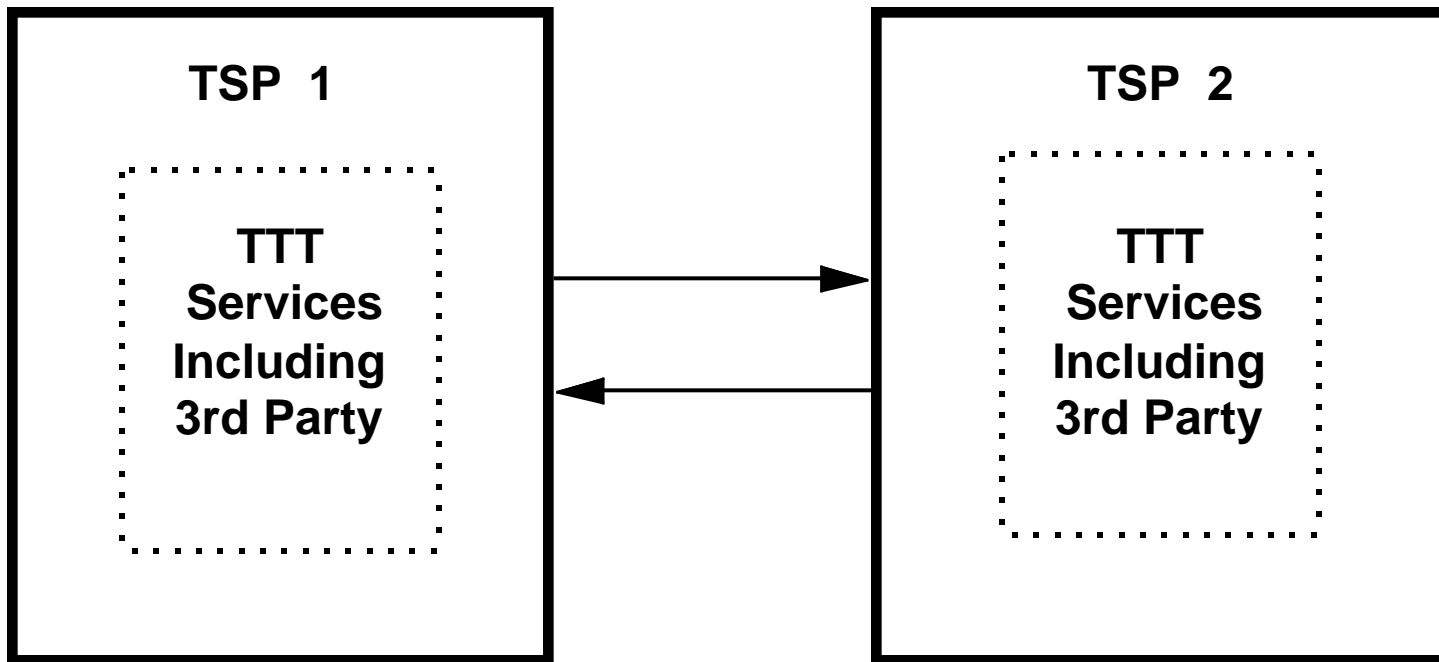
## **8. Error Tests**

[ to be completed ]

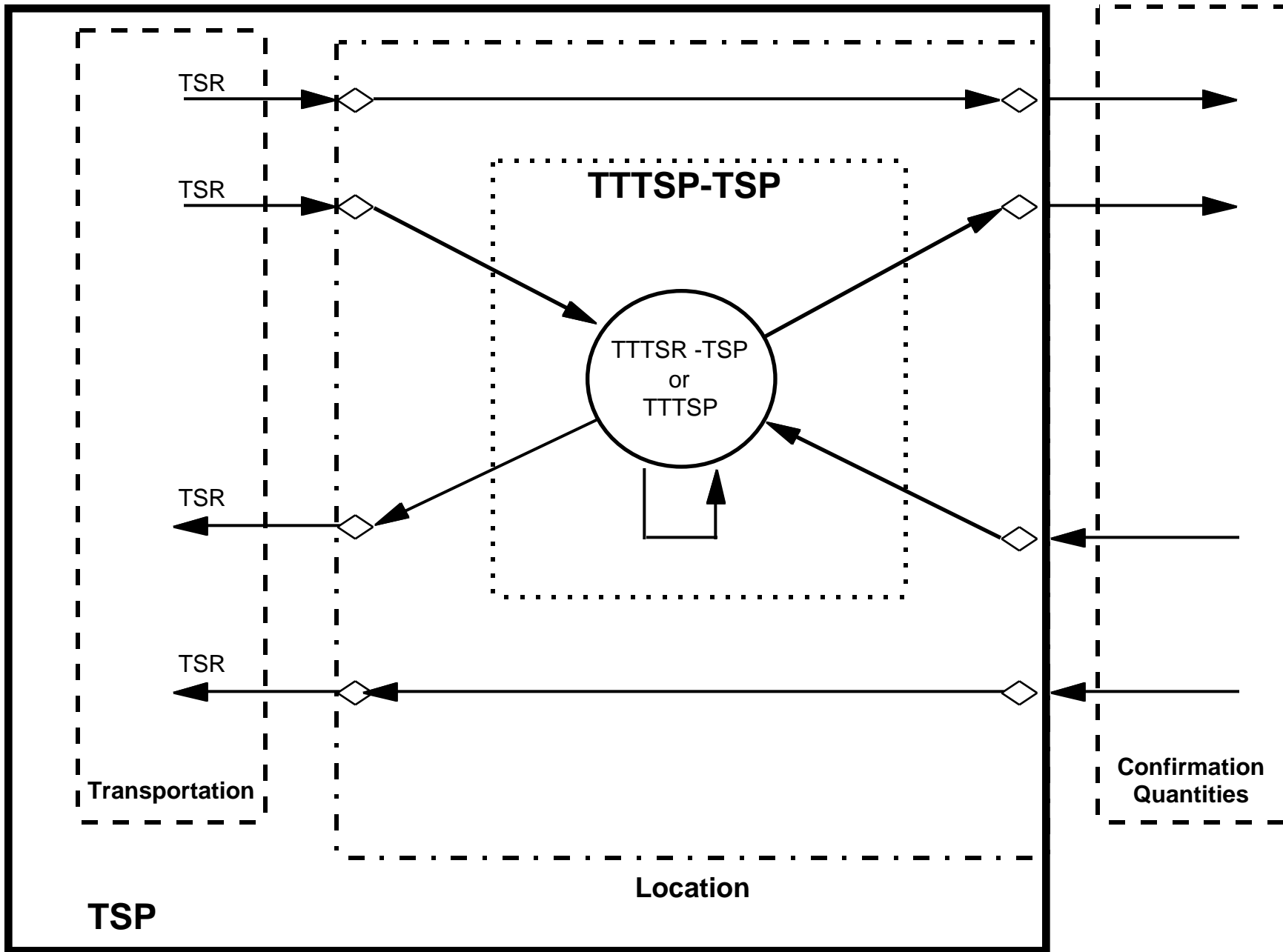
## **9. Proposed Standards**

[ to be completed ]

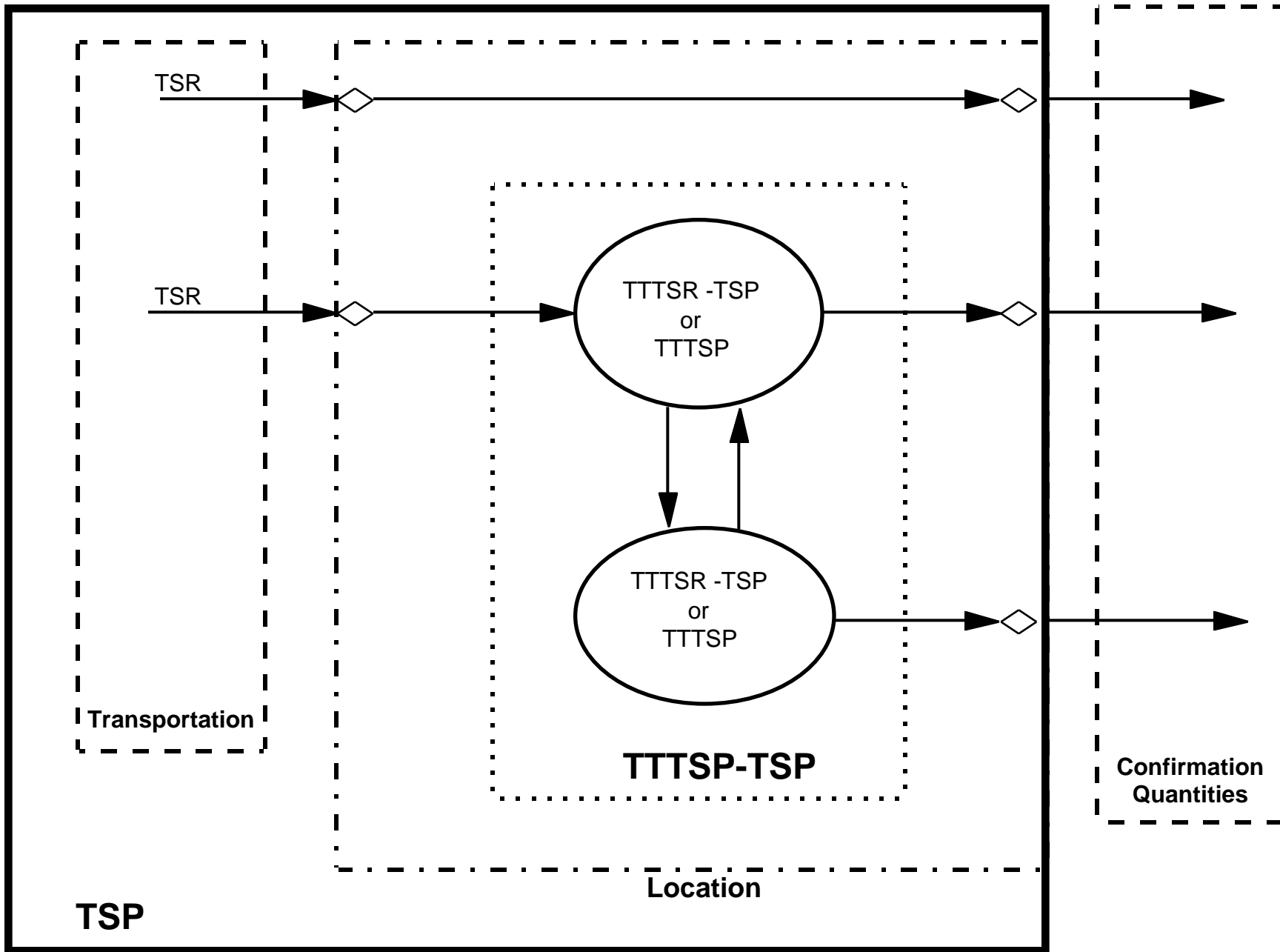
# Account Model



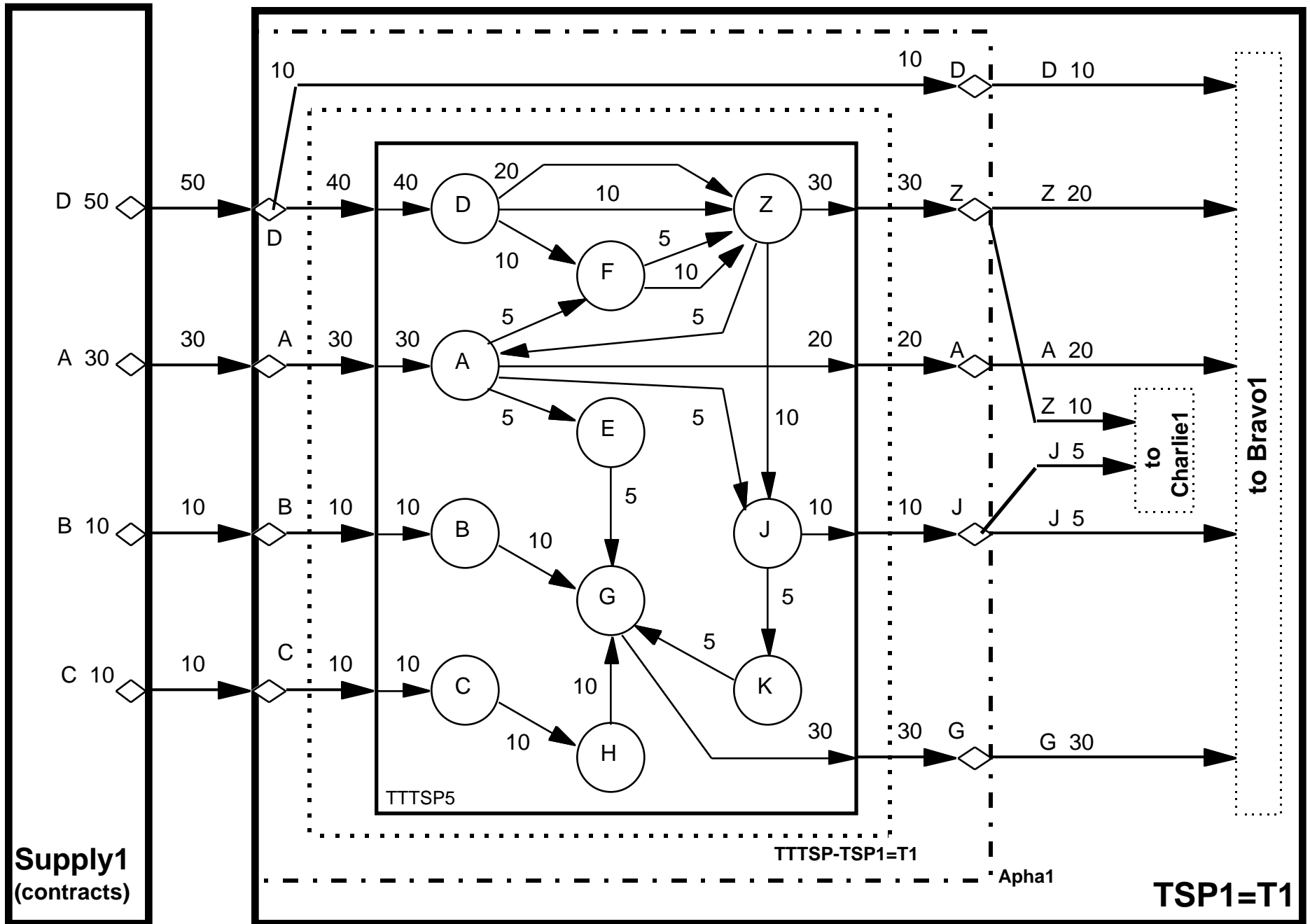
# ACCOUNT MODEL: 2 Way Interconnect Example



# ACCOUNT MODEL: Delivery Point Example

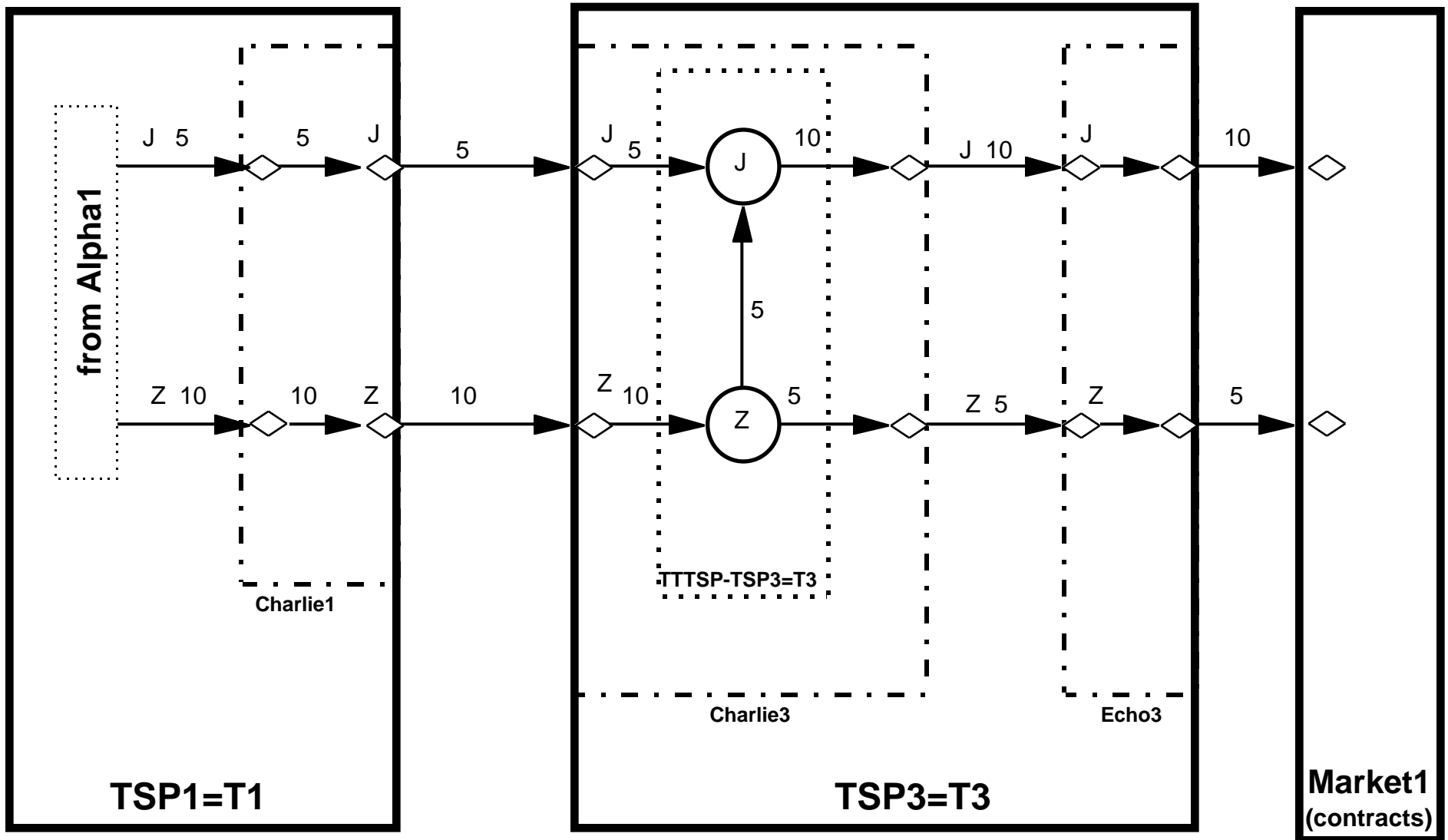


# ACCOUNT MODEL: Location Alpha, Entity Confirmations

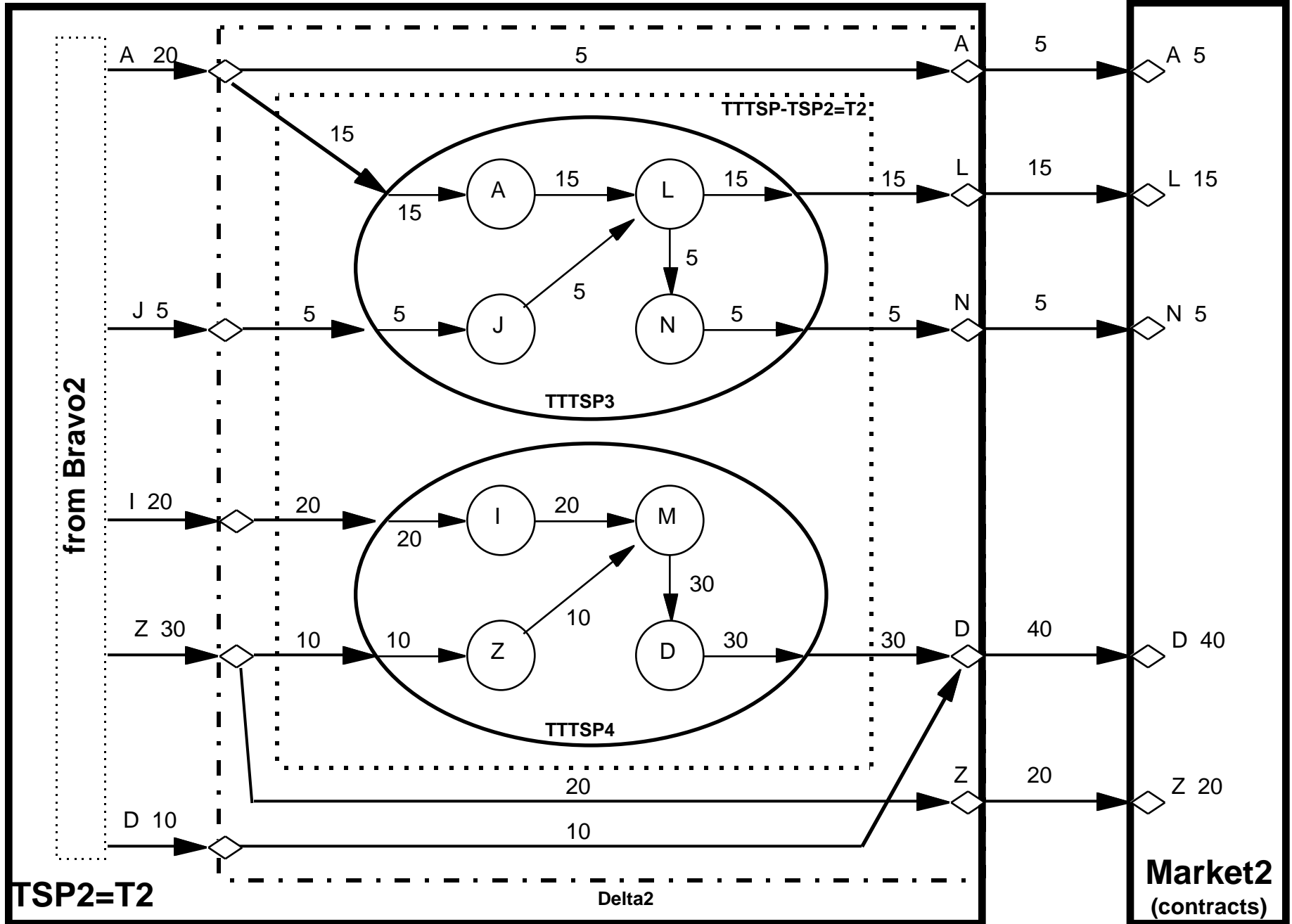




# ACCOUNT MODEL: Location Charlie & Echo, Entity Confirmations



# ACCOUNT MODEL: Location Delta, Entity Confirmations



ACCOUNT MODEL - Transactional Flow Chart  
NOMINATIONS

5/8/98

Nom ID	Document Type	Service Provider	Transaction Description	SR	U/S SP	U/S Contract	U/S ID	D/S ID	D/S Contract	D/S SP	Qty.	U/S Locn.	D/S Locn.
	Nomination	T1	Non-Threaded (Receipt)	D	T1	CTR	D	D	TR	T1	10	Alpha1	Alpha1
	Nomination	T1	Non-Threaded (Receipt)	Z	T1	TTT	TTTSP5	Z	TR	T1	30	Alpha1	Alpha1
	Nomination	T1	Non-Threaded (Receipt)	A	T1	TTT	TTTSP5	A	TR	T1	20	Alpha1	Alpha1
	Nomination	T1	Non-Threaded (Receipt)	J	T1	TTT	TTTSP5	J	TR	T1	10	Alpha1	Alpha1
	Nomination	T1	Non-Threaded (Receipt)	G	T1	TTT	TTTSP5	G	TR	T1	30	Alpha1	Alpha1
T1 - Total Transportation Receipt Quantity Nominated at Alpha											100		
	Nomination	T1	Pathed	D	T1	TR	D	D	TD	T1	10	Alpha1	Bravo1
	Nomination	T1	Pathed	Z	T1	TR	Z	Z	TD	T1	20	Alpha1	Bravo1
	Nomination	T1	Pathed	A	T1	TR	A	A	TD	T1	20	Alpha1	Bravo1
	Nomination	T1	Pathed	J	T1	TR	J	J	TD	T1	5	Alpha1	Bravo1
	Nomination	T1	Pathed	G	T1	TR	G	G	TD	T1	30	Alpha1	Bravo1
T1 - Total Transportation Quantity Nominated from Alpha to Bravo											85		
	Nomination	T1	Pathed	Z	T1	TR	Z	Z	TD	T1	10	Alpha1	Charlie1
	Nomination	T1	Pathed	J	T1	TR	J	J	TD	T1	5	Alpha1	Charlie1
T1 - Total Transportation Quantity Nominated from Alpha to Charlie											15		
	Nomination	T1	Non-Threaded (Deliv)	A	T1	TD	A	A	CTD	T1	20	Bravo1	Bravo1
	Nomination	T1	Non-Threaded (Deliv)	D	T1	TD	D	D	CTD	T1	10	Bravo1	Bravo1
	Nomination	T1	Non-Threaded (Deliv)	G	T1	TD	G	Z	TTT	T1	30	Bravo1	Bravo1
	Nomination	T1	Non-Threaded (Deliv)	J	T1	TD	J	J	CTD	T1	5	Bravo1	Bravo1
	Nomination	T1	Non-Threaded (Deliv)	Z	T1	TD	Z	Z	TTT	T1	20	Bravo1	Bravo1
T1 - Total Transportation Delivery Quantity Nominated at Bravo											85		
	Nomination	T1	Non-Threaded (Deliv)	J	T1	TD	J	J	CTD	T1	5	Charlie1	Charlie1
	Nomination	T1	Non-Threaded (Deliv)	Z	T1	TD	Z	Z	CTD	T1	10	Charlie1	Charlie1
T1 - Total Transportation Delivery Quantity Nominated at Charlie											15		
	Nomination	T2	Non-Threaded (Receipt)	A	T2	CTR	A	A	TR	T2	20	Bravo2	Bravo2
	Nomination	T2	Non-Threaded (Receipt)	J	T2	CTR	J	J	TR	T2	5	Bravo2	Bravo2
	Nomination	T2	Non-Threaded (Receipt)	D	T2	CTR	D	D	TR	T2	10	Bravo2	Bravo2
	Nomination	T2	Non-Threaded (Receipt)	I	T2	TTT	I	I	TR	T2	20	Bravo2	Bravo2
	Nomination	T2	Non-Threaded (Receipt)	Z	T2	CTR	Z	Z	TR	T2	30	Bravo2	Bravo2
T2 - Total Transportation Receipt Quantity Nominated at Bravo											85		
	Nomination	T2	Pathed	A	T2	TR	A	A	TD	T2	20	Bravo2	Delta2
	Nomination	T2	Pathed	J	T2	TR	J	J	TD	T2	5	Bravo2	Delta2
	Nomination	T2	Pathed	D	T2	TR	D	D	TD	T2	10	Bravo2	Delta2

ACCOUNT MODEL - Transactional Flow Chart  
NOMINATIONS

5/8/98

Nom ID	Document Type	Service Provider	Transaction Description	SR	U/S SP	U/S Contract	U/S ID	D/S ID	D/S Contract	D/S SP	Qty.	U/S Locn.	D/S Locn.
	Nomination	T2	Pathed	I	T2	TR	I	I	TD	T2	20	Bravo2	Delta2
	Nomination	T2	Pathed	Z	T2	TR	Z	Z	TD	T2	30	Bravo2	Delta2
T2 - Total Transportation Quantity Nominated from Bravo to Delta											85		
	Nomination	T2	Non-Threaded (Deliv)	A	T2	TD	A	A	CTD	T2	5	Delta2	Delta2
	Nomination	T2	Non-Threaded (Deliv)	A	T2	TD	A	TTTSP3	TTT	T2	15	Delta2	Delta2
	Nomination	T2	Non-Threaded (Deliv)	J	T2	TD	J	TTTSP3	TTT	T2	5	Delta2	Delta2
	Nomination	T2	Non-Threaded (Deliv)	I	T2	TD	I	TTTSP4	TTT	T2	20	Delta2	Delta2
	Nomination	T2	Non-Threaded (Deliv)	Z	T2	TD	Z	TTTSP4	TTT	T2	10	Delta2	Delta2
	Nomination	T2	Non-Threaded (Deliv)	Z	T2	TD	Z	Z	CTD	T2	20	Delta2	Delta2
	Nomination	T2	Non-Threaded (Deliv)	D	T2	TD	D	D	CTD	T2	10	Delta2	Delta2
T2 - Total Transportation Delivery Quantity Nominated at Delta											85		
	Nomination	T3	Non-Threaded (Receipt)	J	T3	TTT	J	J	TR	T3	10	Charlie3	Charlie3
	Nomination	T3	Non-Threaded (Receipt)	Z	T3	TTT	Z	Z	TR	T3	5	Charlie3	Charlie3
T3 - Total Transportation Receipt Quantity Nominated at Charlie											15		
	Nomination	T3	Pathed	J	T3	TR	J	J	TD	T3	10	Charlie3	Echo3
	Nomination	T3	Pathed	Z	T3	TR	Z	Z	TD	T3	5	Charlie3	Echo3
T3 - Total Transportation Quantity Nominated from Charlie to Echo											15		
	Nomination	T3	Non-Threaded (Deliv)	J	T3	TD	J	?	CTD	T3	10	Echo3	Echo3
	Nomination	T3	Non-Threaded (Deliv)	Z	T3	TD	Z	?	CTD	T3	5	Echo3	Echo3
T3 - Total Transportation Quantity Nominated at Echo											15		
	Nomination	T1	TTT Receipt	TTTSP5	T1	CTR	D	TTTSP5	TTT	T1	40	Alpha1	Alpha1
	Nomination	T1	TTT Receipt	TTTSP5	T1	CTR	A	TTTSP5	TTT	T1	30	Alpha1	Alpha1
	Nomination	T1	TTT Receipt	TTTSP5	T1	CTR	B	TTTSP5	TTT	T1	10	Alpha1	Alpha1
	Nomination	T1	TTT Receipt	TTTSP5	T1	CTR	C	TTTSP5	TTT	T1	10	Alpha1	Alpha1
	Nomination	T1	TTT Delivery	TTTSP5	T1	TTT	TTTSP5	Z	TR	T1	30	Alpha1	Alpha1
	Nomination	T1	TTT Delivery	TTTSP5	T1	TTT	TTTSP5	A	TR	T1	20	Alpha1	Alpha1
	Nomination	T1	TTT Delivery	TTTSP5	T1	TTT	TTTSP5	J	TR	T1	10	Alpha1	Alpha1
	Nomination	T1	TTT Delivery	TTTSP5	T1	TTT	TTTSP5	G	TR	T1	30	Alpha1	Alpha1
T1 - Total TTT Quantity Nominated for Receipt at Alpha											90		
T1 - Total TTT Quantity Nominated for Delivery at Alpha											90		
	Nomination	TTTSP5	TTT Receipt	D	T1	CTR	D	D	TTT	TTTSP5	40	Alpha1	Alpha1
	Nomination	TTTSP5	TTT Receipt	A	T1	CTR	A	A	TTT	TTTSP5	30	Alpha1	Alpha1
	Nomination	TTTSP5	TTT Receipt	B	T1	CTR	B	B	TTT	TTTSP5	10	Alpha1	Alpha1
	Nomination	TTTSP5	TTT Receipt	C	T1	CTR	C	C	TTT	TTTSP5	10	Alpha1	Alpha1

ACCOUNT MODEL - Transactional Flow Chart  
NOMINATIONS

5/8/98

Nom ID	Document Type	Service Provider	Transaction Description	SR	U/S SP	U/S Contract	U/S ID	D/S ID	D/S Contract	D/S SP	Qty.	U/S Locn.	D/S Locn.
	Nomination	TTTSP5	TTT Buy	E	TTTSP5	TTT	A	E	TTT	TTTSP5	5	Alpha1	Alpha1
	Nomination	TTTSP5	TTT Sell	A	TTTSP5	TTT	A	E	TTT	TTTSP5	5	Alpha1	Alpha1
	Nomination	TTTSP5	TTT Buy	F	TTTSP5	TTT	A	F	TTT	TTTSP5	5	Alpha1	Alpha1
	Nomination	TTTSP5	TTT Sell	A	TTTSP5	TTT	A	F	TTT	TTTSP5	5	Alpha1	Alpha1
	Nomination	TTTSP5	TTT Buy	G	TTTSP5	TTT	B	G	TTT	TTTSP5	10	Alpha1	Alpha1
	Nomination	TTTSP5	TTT Sell	B	TTTSP5	TTT	B	G	TTT	TTTSP5	10	Alpha1	Alpha1
	Nomination	TTTSP5	TTT Buy	H	TTTSP5	TTT	C	H	TTT	TTTSP5	10	Alpha1	Alpha1
	Nomination	TTTSP5	TTT Sell	C	TTTSP5	TTT	C	H	TTT	TTTSP5	10	Alpha1	Alpha1
	Nomination	TTTSP5	TTT Buy	F	TTTSP5	TTT	D	F	TTT	TTTSP5	10	Alpha1	Alpha1
	Nomination	TTTSP5	TTT Sell	D	TTTSP5	TTT	D	F	TTT	TTTSP5	10	Alpha1	Alpha1
	Nomination	TTTSP5	TTT Buy	Z	TTTSP5	TTT	D	Z	TTT	TTTSP5	20	Alpha1	Alpha1
	Nomination	TTTSP5	TTT Sell	D	TTTSP5	TTT	D	Z	TTT	TTTSP5	20	Alpha1	Alpha1
	Nomination	TTTSP5	TTT Buy	Z	TTTSP5	TTT	D	Z	TTT	TTTSP5	10	Alpha1	Alpha1
	Nomination	TTTSP5	TTT Sell	D	TTTSP5	TTT	D	Z	TTT	TTTSP5	10	Alpha1	Alpha1
	Nomination	TTTSP5	TTT Buy	G	TTTSP5	TTT	E	G	TTT	TTTSP5	5	Alpha1	Alpha1
	Nomination	TTTSP5	TTT Sell	E	TTTSP5	TTT	E	G	TTT	TTTSP5	5	Alpha1	Alpha1
	Nomination	TTTSP5	TTT Buy	Z	TTTSP5	TTT	F	Z	TTT	TTTSP5	5	Alpha1	Alpha1
	Nomination	TTTSP5	TTT Sell	F	TTTSP5	TTT	F	Z	TTT	TTTSP5	5	Alpha1	Alpha1
	Nomination	TTTSP5	TTT Buy	G	TTTSP5	TTT	H	G	TTT	TTTSP5	10	Alpha1	Alpha1
	Nomination	TTTSP5	TTT Sell	H	TTTSP5	TTT	H	G	TTT	TTTSP5	10	Alpha1	Alpha1
	Nomination	TTTSP5	TTT Buy	Z	TTTSP5	TTT	F	Z	TTT	TTTSP5	10	Alpha1	Alpha1
	Nomination	TTTSP5	TTT Sell	F	TTTSP5	TTT	F	Z	TTT	TTTSP5	10	Alpha1	Alpha1
	Nomination	TTTSP5	TTT Buy	A	TTTSP5	TTT	Z	A	TTT	TTTSP5	5	Alpha1	Alpha1
	Nomination	TTTSP5	TTT Sell	Z	TTTSP5	TTT	Z	A	TTT	TTTSP5	5	Alpha1	Alpha1
	Nomination	TTTSP5	TTT Buy	J	TTTSP5	TTT	A	J	TTT	TTTSP5	5	Alpha1	Alpha1
	Nomination	TTTSP5	TTT Sell	A	TTTSP5	TTT	A	J	TTT	TTTSP5	5	Alpha1	Alpha1
	Nomination	TTTSP5	TTT Buy	J	TTTSP5	TTT	Z	J	TTT	TTTSP5	10	Alpha1	Alpha1
	Nomination	TTTSP5	TTT Sell	Z	TTTSP5	TTT	Z	J	TTT	TTTSP5	10	Alpha1	Alpha1
	Nomination	TTTSP5	TTT Buy	K	TTTSP5	TTT	J	K	TTT	TTTSP5	5	Alpha1	Alpha1
	Nomination	TTTSP5	TTT Sell	J	TTTSP5	TTT	J	K	TTT	TTTSP5	5	Alpha1	Alpha1
	Nomination	TTTSP5	TTT Buy	G	TTTSP5	TTT	K	G	TTT	TTTSP5	5	Alpha1	Alpha1
	Nomination	TTTSP5	TTT Sell	K	TTTSP5	TTT	K	G	TTT	TTTSP5	5	Alpha1	Alpha1
	Nomination	TTTSP5	TTT Delivery	Z	TTTSP5	TTT	Z	Z	TR	T1	30	Alpha1	Alpha1
	Nomination	TTTSP5	TTT Delivery	A	TTTSP5	TTT	A	A	TR	T1	20	Alpha1	Alpha1
	Nomination	TTTSP5	TTT Delivery	J	TTTSP5	TTT	J	J	TR	T1	10	Alpha1	Alpha1
	Nomination	TTTSP5	TTT Delivery	G	TTTSP5	TTT	G	G	TR	T1	30	Alpha1	Alpha1
	TTTSP5 - Total TTT Quantity Nominated for Receipt at Alpha										90		
	TTTSP5 - Total TTT Quantity Nominated for Delivery at Alpha										90		
	Nomination	T1	TTT Receipt	Z	T1	TD	G	Z	TTT	T1	30	Bravo1	Bravo1

ACCOUNT MODEL - Transactional Flow Chart  
NOMINATIONS

5/8/98

Nom ID	Document Type	Service Provider	Transaction Description	SR	U/S SP	U/S Contract	U/S ID	D/S ID	D/S Contract	D/S SP	Qty.	U/S Locn.	D/S Locn.
	Nomination	T1	TTT Receipt	Z	T1	TD	Z	Z	TTT	T1	20	Bravo1	Bravo1
	Nomination	T1	TTT Buy	TTTSP1	T1	TTT	Z	TTTSP1	TTT	T1	10	Bravo1	Bravo1
	Nomination	T1	TTT Sell	Z	T1	TTT	Z	TTTSP1	TTT	T1	10	Bravo1	Bravo1
	Nomination	T1	TTT Buy	D	T1	TTT	TTTSP1	D	TTT	T1	10	Bravo1	Bravo1
	Nomination	T1	TTT Sell	TTTSP1	T1	TTT	TTTSP1	D	TTT	T1	10	Bravo1	Bravo1
	Nomination	T1	TTT Delivery	Z	T1	TTT	Z	Z	CTD	T1	40	Bravo1	Bravo1
	Nomination	T1	TTT Delivery	TTTSP1	T1	TTT	D	D	CTD	T1	10	Bravo1	Bravo1
T1 - Total TTT Quantity Nominated for Receipt at Bravo											50		
T1 - Total TTT Quantity Nominated for Delivery at Bravo											50		
	Nomination	T2	TTT Receipt	Z	T2	CTR	Z	Z	TTT	T2	10	Bravo2	Bravo2
	Nomination	T2	TTT Receipt	I	T2	CTR	D	I	TTT	T2	10	Bravo2	Bravo2
	Nomination	T2	TTT Buy	TTTSP2	T2	TTT	Z	TTTSP2	TTT	T2	10	Bravo2	Bravo2
	Nomination	T2	TTT Sell	Z	T2	TTT	Z	TTTSP2	TTT	T2	10	Bravo2	Bravo2
	Nomination	T2	TTT Buy	I	T2	TTT	TTTSP2	I	TTT	T2	10	Bravo2	Bravo2
	Nomination	T2	TTT Sell	TTTSP2	T2	TTT	TTTSP2	I	TTT	T2	10	Bravo2	Bravo2
	Nomination	T2	TTT Delivery	I	T2	TTT	I	I	TR	T2	20	Bravo2	Bravo2
T2 - Total TTT Quantity Nominated for Receipt at Bravo											20		
T2 - Total TTT Quantity Nominated for Delivery at Bravo											20		
	Nomination	TTTSP1	TTT Receipt	Z	T1	TTT	Z	Z	TTT	TTTSP1	10	Bravo1	Bravo1
	Nomination	TTTSP1	TTT Buy	D	TTTSP1	TTT	Z	D	TTT	TTTSP1	10	Bravo1	Bravo1
	Nomination	TTTSP1	TTT Sell	Z	TTTSP1	TTT	Z	D	TTT	TTTSP1	10	Bravo1	Bravo1
	Nomination	TTTSP1	TTT Delivery	D	TTTSP1	TTT	D	D	TTT	T1	10	Bravo1	Bravo1
TTTSP1 - Total TTT Quantity Nominated for Receipt at Bravo											10		
TTTSP1 - Total TTT Quantity Nominated for Delivery at Bravo											10		
	Nomination	TTTSP2	TTT Receipt	Z	T2	TTT	Z	Z	TTT	TTTSP2	10	Bravo2	Bravo2
	Nomination	TTTSP2	TTT Buy	I	TTTSP2	TTT	Z	I	TTT	TTTSP2	10	Bravo2	Bravo2
	Nomination	TTTSP2	TTT Sell	Z	TTTSP2	TTT	Z	I	TTT	TTTSP2	10	Bravo2	Bravo2
	Nomination	TTTSP2	TTT Delivery	I	TTTSP2	TTT	I	I	TTT	T2	10	Bravo2	Bravo2
TTTSP2 - Total TTT Quantity Nominated for Receipt at Bravo											10		
TTTSP2 - Total TTT Quantity Nominated for Delivery at Bravo											10		
	Nomination	T3	TTT Receipt	J	T3	CTR	J	J	TTT	T3	5	Charlie3	Charlie3
	Nomination	T3	TTT Receipt	Z	T3	CTR	Z	Z	TTT	T3	10	Charlie3	Charlie3
	Nomination	T3	TTT Buy	J	T3	TTT	Z	J	TTT	T3	5	Charlie3	Charlie3
	Nomination	T3	TTT Sell	Z	T3	TTT	Z	J	TTT	T3	5	Charlie3	Charlie3
	Nomination	T3	TTT Delivery	J	T3	TTT	J	J	TR	T3	10	Charlie3	Charlie3
	Nomination	T3	TTT Delivery	Z	T3	TTT	Z	Z	TR	T3	5	Charlie3	Charlie3

ACCOUNT MODEL - Transactional Flow Chart  
NOMINATIONS

5/8/98

Nom ID	Document Type	Service Provider	Transaction Description	SR	U/S SP	U/S Contract	U/S ID	D/S ID	D/S Contract	D/S SP	Qty.	U/S Locn.	D/S Locn.
T3 - Total TTT Quantity Nominated for Receipt at Charlie											15		
T3 - Total TTT Quantity Nominated for Delivery at Charlie											15		
	Nomination	T2	TTT Receipt	TTTSP3	T2	CTR	A	TTTSP3	TTT	T2	15	Delta2	Delta2
	Nomination	T2	TTT Receipt	TTTSP3	T2	CTR	J	TTTSP3	TTT	T2	5	Delta2	Delta2
	Nomination	T2	TTT Receipt	TTTSP4	T2	CTR	I	TTTSP4	TTT	T2	20	Delta2	Delta2
	Nomination	T2	TTT Receipt	TTTSP4	T2	CTR	Z	TTTSP4	TTT	T2	10	Delta2	Delta2
	Nomination	T2	TTT Delivery	TTTSP3	T2	TTT	TTTSP3	L	TR	T2	15	Delta2	Delta2
	Nomination	T2	TTT Delivery	TTTSP3	T2	TTT	TTTSP3	N	TR	T2	5	Delta2	Delta2
	Nomination	T2	TTT Delivery	TTTSP4	T2	TTT	TTTSP4	D	TR	T2	30	Delta2	Delta2
T2 - Total TTT Quantity Nominated for Receipt at Delta											50		
T2 - Total TTT Quantity Nominated for Delivery at Delta											50		
	Nomination	TTTSP3	TTT Receipt	A	T2	CTR	A	A	TTT	TTTSP3	15	Delta2	Delta2
	Nomination	TTTSP3	TTT Receipt	J	T2	CTR	J	J	TTT	TTTSP3	5	Delta2	Delta2
	Nomination	TTTSP3	TTT Buy	L	TTTSP3	TTT	A	L	TTT	TTTSP3	15	Delta2	Delta2
	Nomination	TTTSP3	TTT Sell	A	TTTSP3	TTT	A	L	TTT	TTTSP3	15	Delta2	Delta2
	Nomination	TTTSP3	TTT Buy	L	TTTSP3	TTT	J	L	TTT	TTTSP3	5	Delta2	Delta2
	Nomination	TTTSP3	TTT Sell	J	TTTSP3	TTT	J	L	TTT	TTTSP3	5	Delta2	Delta2
	Nomination	TTTSP3	TTT Buy	N	TTTSP3	TTT	L	N	TTT	TTTSP3	5	Delta2	Delta2
	Nomination	TTTSP3	TTT Sell	L	TTTSP3	TTT	L	N	TTT	TTTSP3	5	Delta2	Delta2
	Nomination	TTTSP3	TTT Delivery	L	TTTSP3	TTT	TTTSP3	L	TR	T2	15	Delta2	Delta2
	Nomination	TTTSP3	TTT Delivery	N	TTTSP3	TTT	TTTSP4	N	TR	T2	5	Delta2	Delta2
TTTSP3 - Total TTT Quantity Nominated for Receipt at Delta											20		
TTTSP3 - Total TTT Quantity Nominated for Delivery at Delta											20		
	Nomination	TTTSP4	TTT Receipt	I	T2	CTR	I	I	TTT	TTTSP4	20	Delta2	Delta2
	Nomination	TTTSP4	TTT Receipt	Z	T2	CTR	Z	Z	TTT	TTTSP4	10	Delta2	Delta2
	Nomination	TTTSP4	TTT Buy	M	TTTSP4	TTT	I	M	TTT	TTTSP4	20	Delta2	Delta2
	Nomination	TTTSP4	TTT Sell	I	TTTSP4	TTT	I	M	TTT	TTTSP4	20	Delta2	Delta2
	Nomination	TTTSP4	TTT Buy	M	TTTSP4	TTT	Z	M	TTT	TTTSP4	10	Delta2	Delta2
	Nomination	TTTSP4	TTT Sell	Z	TTTSP4	TTT	Z	M	TTT	TTTSP4	10	Delta2	Delta2
	Nomination	TTTSP4	TTT Buy	D	TTTSP4	TTT	M	D	TTT	TTTSP4	30	Delta2	Delta2
	Nomination	TTTSP4	TTT Sell	M	TTTSP4	TTT	M	D	TTT	TTTSP4	30	Delta2	Delta2
	Nomination	TTTSP4	TTT Delivery	D	TTTSP4	TTT	D	D	TR	T2	30	Delta2	Delta2
TTTSP4 - Total TTT Quantity Nominated for Receipt at Delta											30		
TTTSP4 - Total TTT Quantity Nominated for Delivery at Delta											30		

ACCOUNT MODEL - Transaction Flow Chart  
Confirmations

5/8/98

Confirm. ID	Document Type	Receiver	Confirmation Flow Indicator	Sender	U/S SP	U/S Contract	U/S ID	D/S ID	D/S Contract	D/S SP	Qty.	U/S Locn.	D/S Locn.
	Confirmation Request	Supply1	Receipt	T1	Supply1		D	D		T1	50		Alpha1
	Confirmation Request	Supply1	Receipt	T1	Supply1		A	A		T1	30		Alpha1
	Confirmation Request	Supply1	Receipt	T1	Supply1		B	B		T1	10		Alpha1
	Confirmation Request	Supply1	Receipt	T1	Supply1		C	C		T1	10		Alpha1
Total Confirmation Quantity at Alpha											100		
	Confirmation Request	T1	Receipt	T2	T1		A	A		T2	20		Bravo2
	Confirmation Request	T1	Receipt	T2	T1		D	D		T2	20		Bravo2
	Confirmation Request	T1	Receipt	T2	T1		J	J		T2	5		Bravo2
	Confirmation Request	T1	Receipt	T2	T1		Z	Z		T2	40		Bravo2
Total Confirmation Quantity at Bravo											85		
	Confirmation Request	T1	Receipt	T3	T1		J	J		T3	5		Charlie3
	Confirmation Request	T1	Receipt	T3	T1		Z	Z		T3	10		Charlie3
Total Confirmation Quantity at Charlie											15		
	Confirmation Request	Market2	Delivery	T2	T2		A	A		Market2	5	Delta2	
	Confirmation Request	Market2	Delivery	T2	T2		L	L		Market2	15	Delta2	
	Confirmation Request	Market2	Delivery	T2	T2		N	N		Market2	5	Delta2	
	Confirmation Request	Market2	Delivery	T2	T2		D	D		Market2	40	Delta2	
	Confirmation Request	Market2	Delivery	T2	T2		Z	Z		Market2	20	Delta2	
Total Confirmation Quantity at Delta											85		

ACCOUNT MODEL - Transactional Flow Chart  
Notes Assumptions

5/8/98

*** NOTES ***									
1. For simplicity, T1 = TSP1 = TTTSP-TSP1 (by definition this is equivalent).									
2. For simplicity, T2 = TSP2 = TTTSP-TSP2 (by definition this is equivalent).									
3. For simplicity, T3 = TSP3 = TTTSP-TSP3 (by definition this is equivalent).									
4. This table uses a "Pathed Non-Threaded" nominations model (the account model also works for the other nomination models).									
5. TTT = Title Transfer Tracking account (contract).									
6. T = Transportation Contract.									
7. TR = Transportation account (contract) for receipts.									
8. TD = Transportation account (contract) for deliveries.									
9. CTR = Custody Transfer (Confirmation) account for receipts.									
10. CTD = Custody Transfer (Confirmation) account for deliveries.									
11. At Alpha, assume T1 issues Confirmation Request and Supply1 issues Confirmation Response.									
12. At Bravo, assume T2 issues Confirmation Request and T1 issues Confirmation Response.									
13. At Charlie, assume T3 issues Confirmation Request and T1 issues Confirmation Response.									
14. At Delta, assume T2 issues Confirmation Request and Market2 issues Confirmation Response.									
15. Assume confirmations occur at an entity level (the account model also works for confirmations at a contract level).									
16. At Alpha, assume the TTT transactions occur on T1.									
17. At Bravo, assume the TTT transactions: G-Z and Z-D occur on T1, D-I and Z-I occur on T2									
18. At Charlie, assume the TTT transaction occurs on T3.									
19. At Delta, assume the TTT transactions occur on T2.									
20. At Echo, delivery (non-threaded) nominations and confirmations not shown since no information provided.									