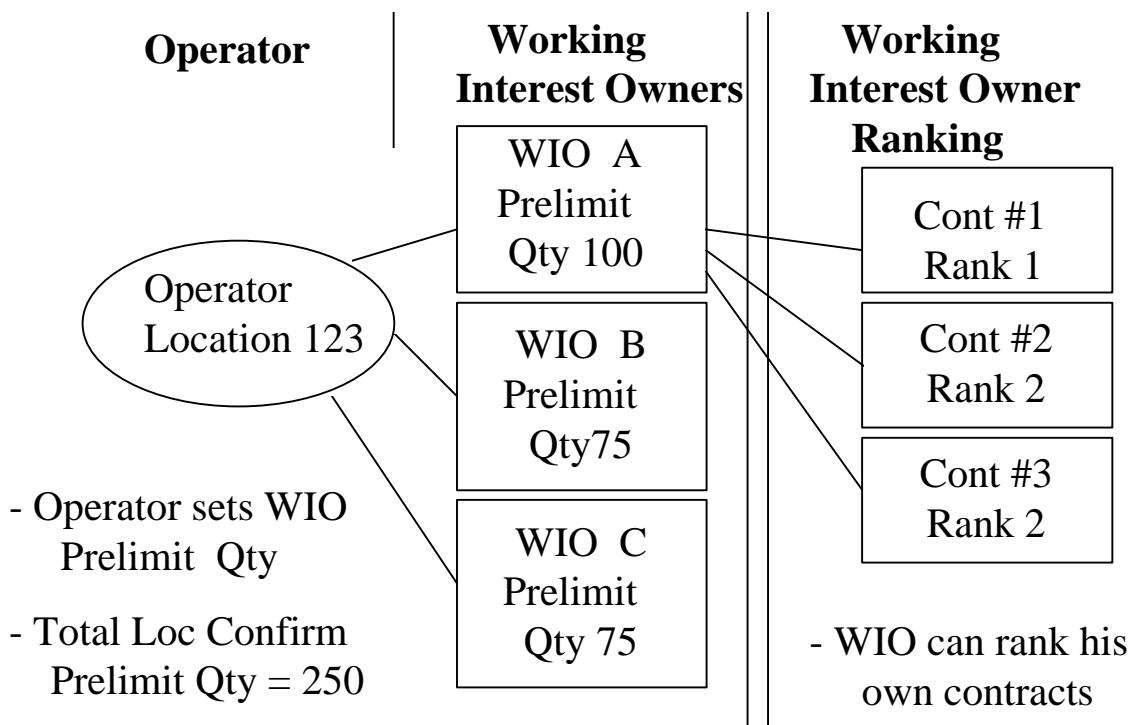


# ANR Operator Prelimits & WIO Ranking



ANR allows an Operator to create a prelimit quantity for each Working Interest Owner (WIO) at a location. The prelimit sets the maximum quantity that ANR will confirm at that location for each WIO. The prelimit can be set for a range of dates. Prelimit quantities do not have to be created for all WIO's at a location. There is no impact on the "lesser of" rule by prelimit quantities. Prelimit quantities can be set at receipt locations (by WIO) or delivery locations (by contract #).

### Wellhead Operator Prelimits (Receipt Location):

The Operator for Loc 123 has three WIO's at this location that have prelimits set.

- Confirmation quantities for WIO A cannot exceed the prelimit quantity of 100. This may be important to some Operators where WIO's have a history of overnominating. Some Operators use this tool to ensure that no gas is transported by setting the prelimit to zero.

### Producer (WIO) Ranking:

- Each WIO is allowed to rank their market contracts at a location. This allows the WIO to indicate which contracts will be cut last if cuts are needed.