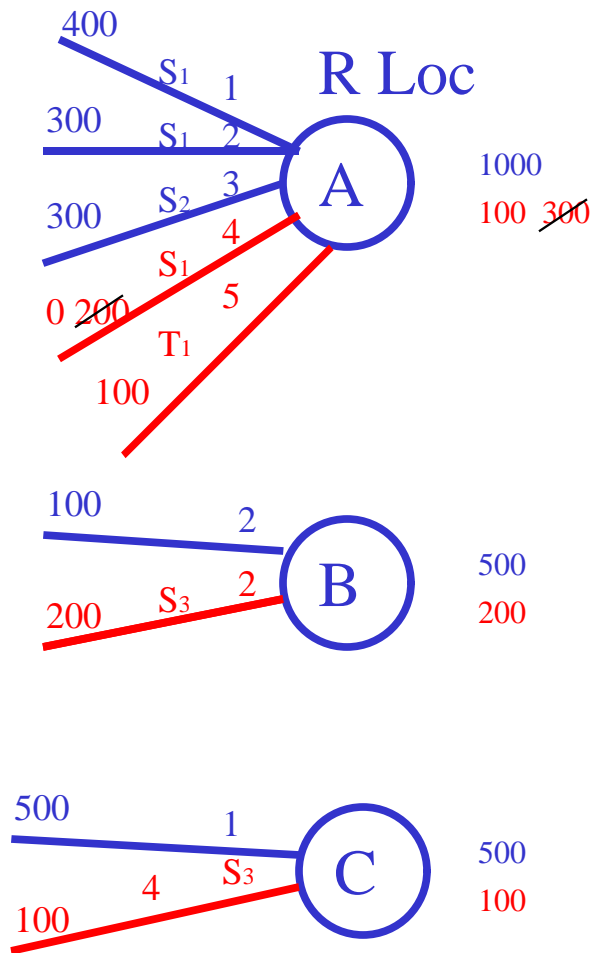


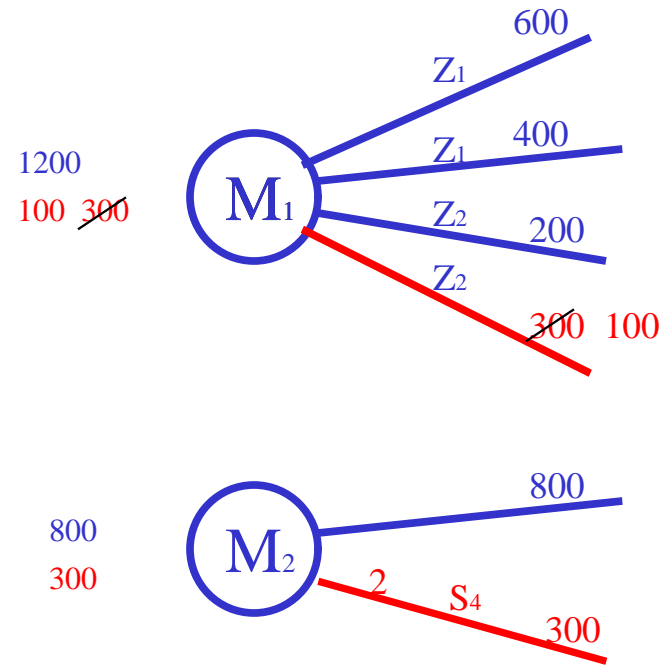
Non Pathed TSP1

- **K1** Same SR on TSP1
- **K2** on TSP1

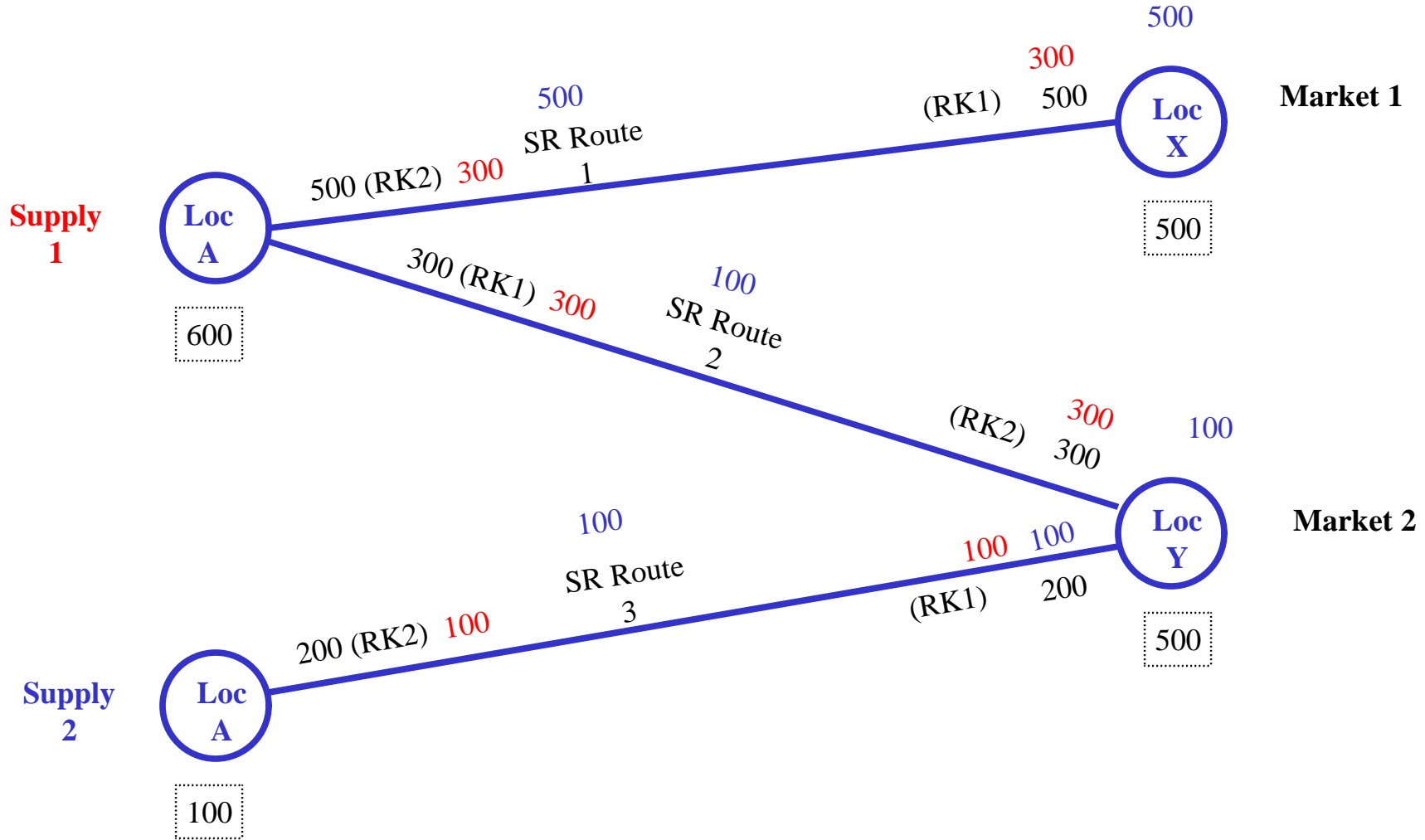
OP1



D Loc



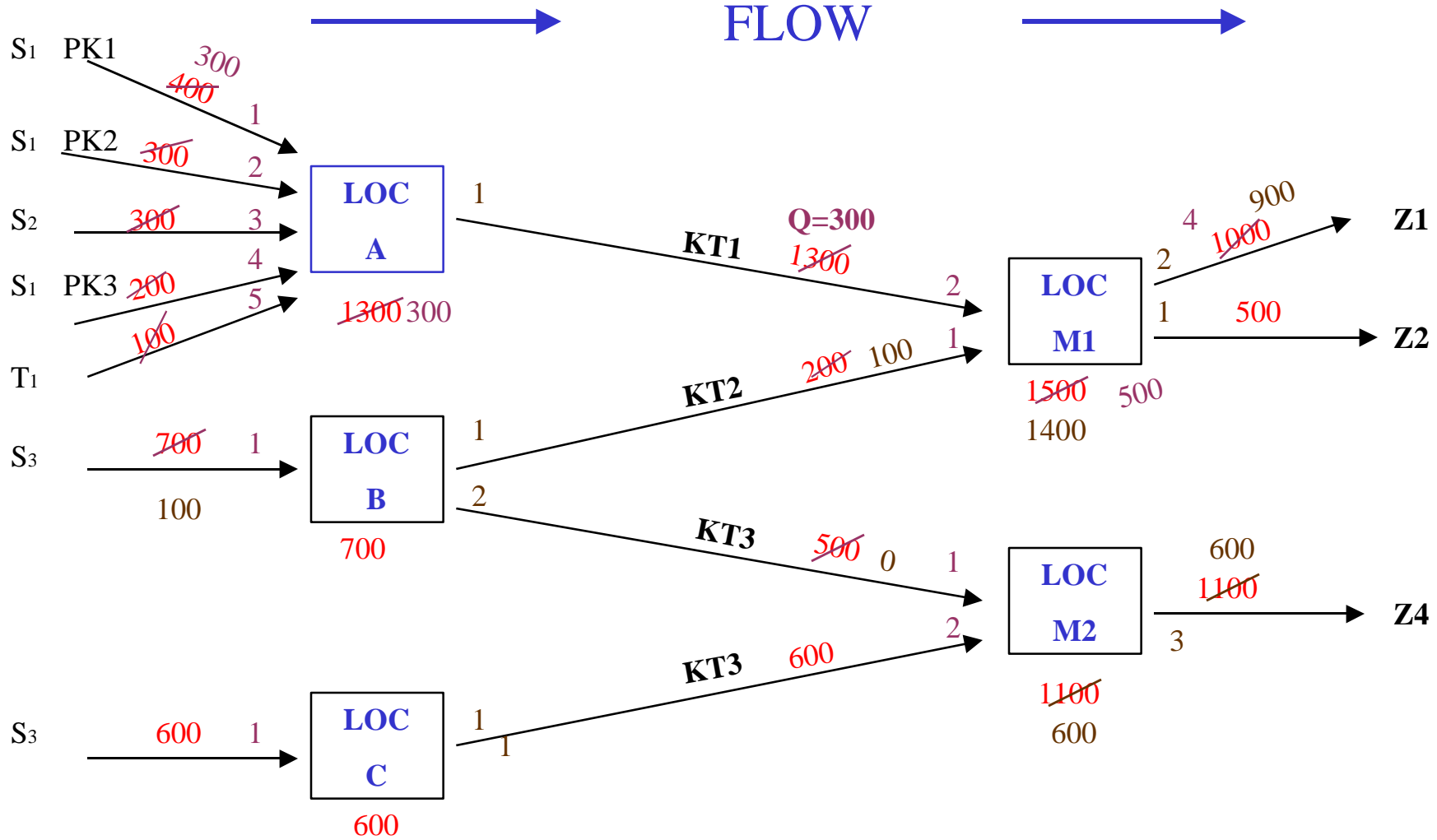
Pathed Model



- Use ranks on side of route corresponding to where the conf reduction occurs.
- Use ranks on the side of the route opposite to where the conf reduction occurs.

Pathed Non - Threaded

FLOW



— = cuts from supply side
 — = cuts from market side